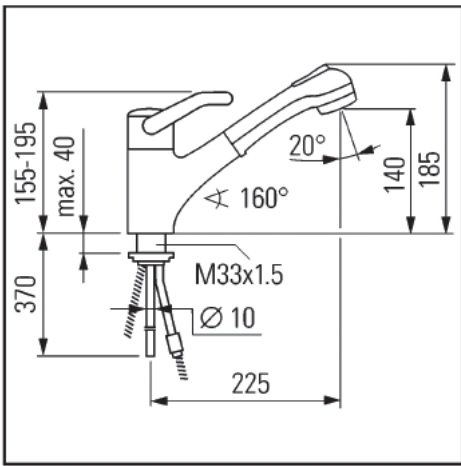
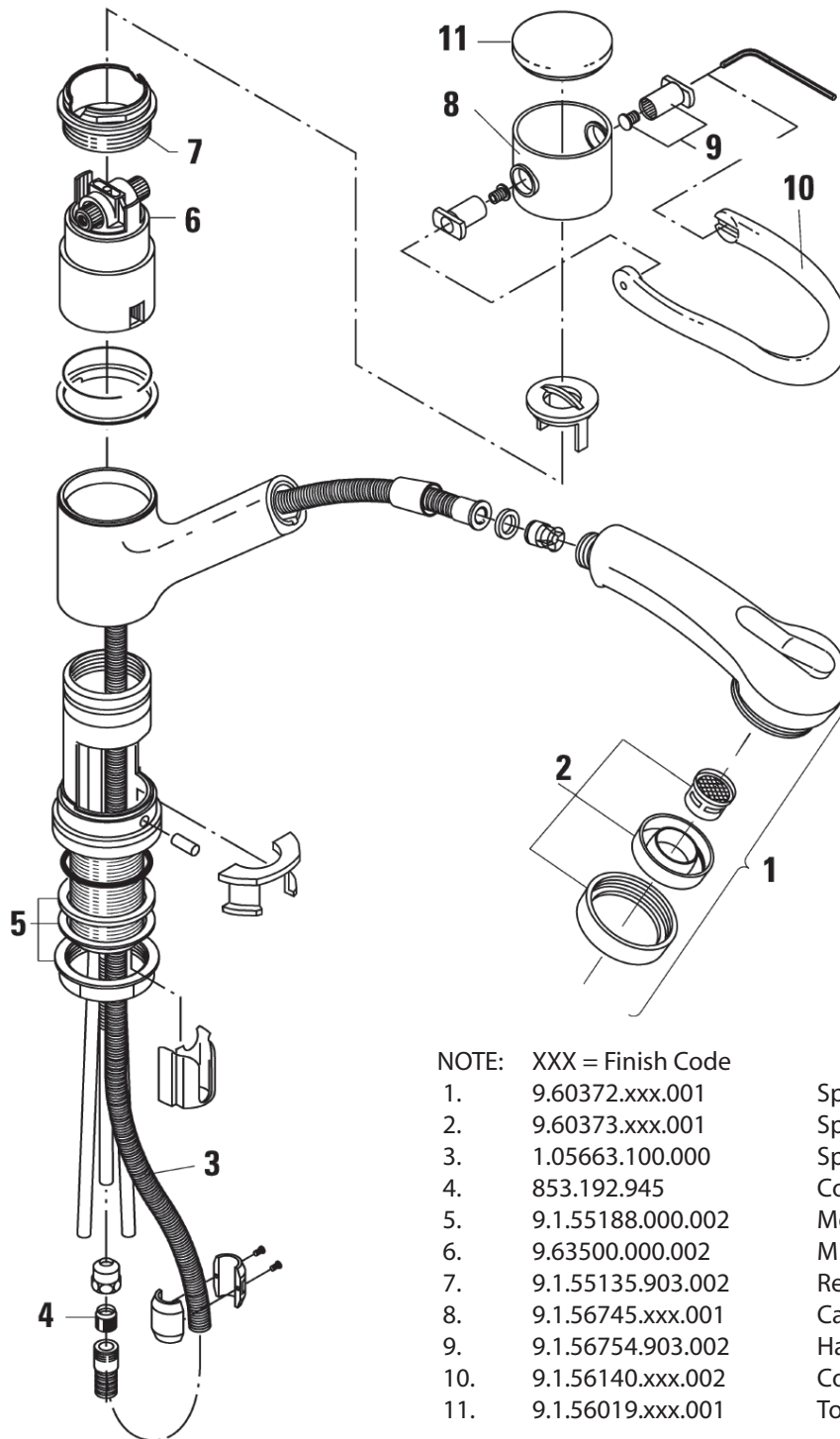


# Arwa Class 39655 (2nd Generation) Kitchen Faucet w/ Pull-out Spout



9.39655.011



NOTE: XXX = Finish Code

- |     |                   |                          |
|-----|-------------------|--------------------------|
| 1.  | 9.60372.xxx.001   | Spray Head               |
| 2.  | 9.60373.xxx.001   | Spray Cap                |
| 3.  | 1.05663.100.000   | Spray Hose               |
| 4.  | 853.192.945       | Compression Hose Fitting |
| 5.  | 9.1.55188.000.002 | Mounting Hardware        |
| 6.  | 9.63500.000.002   | Mixing Cartridge         |
| 7.  | 9.1.55135.903.002 | Retaining Nut            |
| 8.  | 9.1.56745.xxx.001 | Cartridge Cover          |
| 9.  | 9.1.56754.903.002 | Handle Stud              |
| 10. | 9.1.56140.xxx.002 | Control Handle           |
| 11. | 9.1.56019.xxx.001 | Top Cap                  |